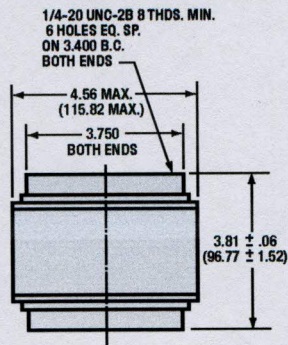
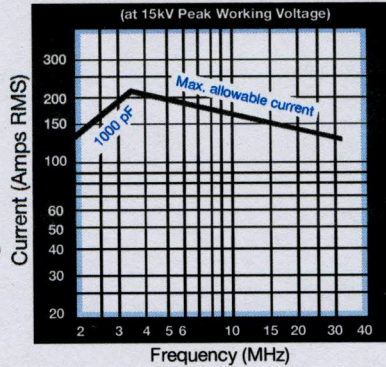


PRODUCT NUMBER	CAPACITY RANGE (pF)	VOLTAGE PEAK (kV)		CURRENT AMPS. (RMS) MAX.	INCHES LENGTH	NOM. DIMENSIONS		MILLIMETERS DIAM.	NOM. WEIGHT
		TEST	WORKING			DIAM.	LENGTH		
CFED-1000-10S	1000	10	6.0	190	3.81	4.56	96.77	115.82	5 lb. 13 oz.
CFED-1000-15S	1000	15	9.0	205	3.81	4.56	96.77	115.82	5 lb. 13 oz.
CFED-1000-20S	1000	20	12	220	3.81	4.56	96.77	115.82	5 lb. 13 oz.
CFED-1000-25S	1000	25	15	230	3.81	4.56	96.77	115.82	5 lb. 13 oz.
CFDP-1500-7.5S	1500	7.5	4.5	150	3.30	5.62	83.82	142.75	5 lb. 12 oz.
CFDP-1500-10S	1500	10	6.0	170	3.30	5.62	83.82	142.75	5 lb. 12 oz.
CFDP-1500-15S	1500	15	9.0	190	3.30	5.62	83.82	142.75	5 lb. 12 oz.
CFFP-1500-25S	1500	25	15	310	5.78	8.20	146.80	208.30	23 lb. 8 oz.
CFFP-1500-30S	1500	30	18	330	5.78	8.20	146.80	208.30	23 lb. 8 oz.
CFFP-1500-35S	1500	35	21	350	5.78	8.20	146.80	208.30	23 lb. 8 oz.

**CFED-1000**

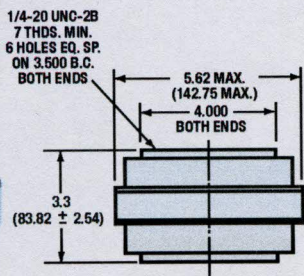


Continuous RMS Amperes vs Frequency  
(at 15kV Peak Working Voltage)

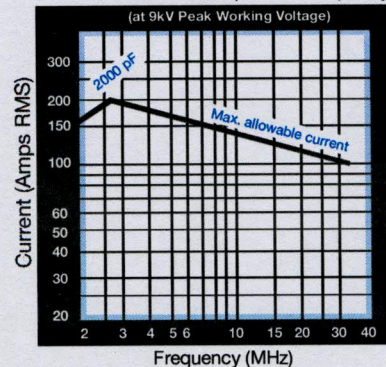


Mounting: Both ends have tapped holes.

**CFDP-1500**

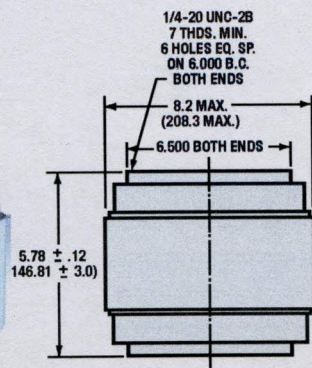


Continuous RMS Amperes vs Frequency  
(at 9kV Peak Working Voltage)

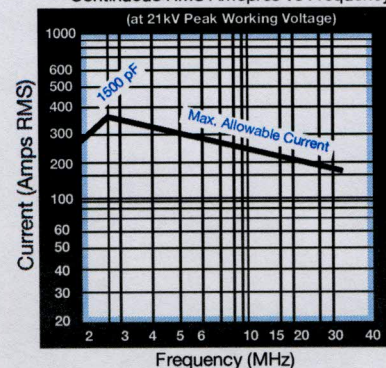


Mounting: Both ends have tapped holes.

**CFFP-1500**



Continuous RMS Amperes vs Frequency  
(at 21kV Peak Working Voltage)



Mounting: Both ends have tapped holes.