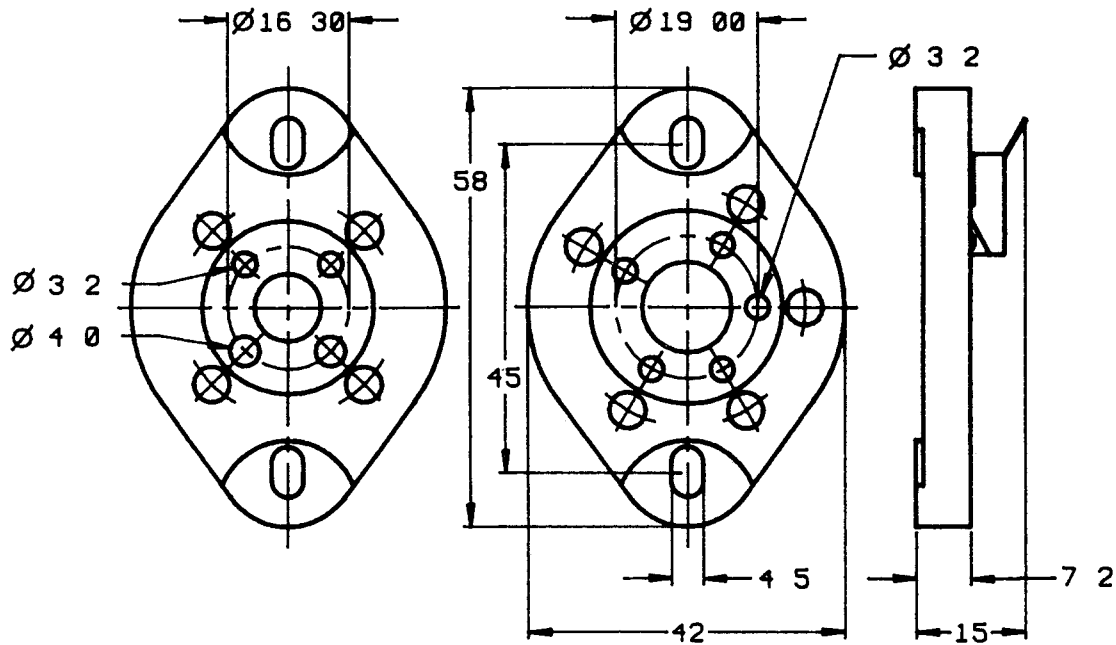


122 0224 0



NATIONAL

122-0224-001
122-0225-200
SOCKET



122-0224-001

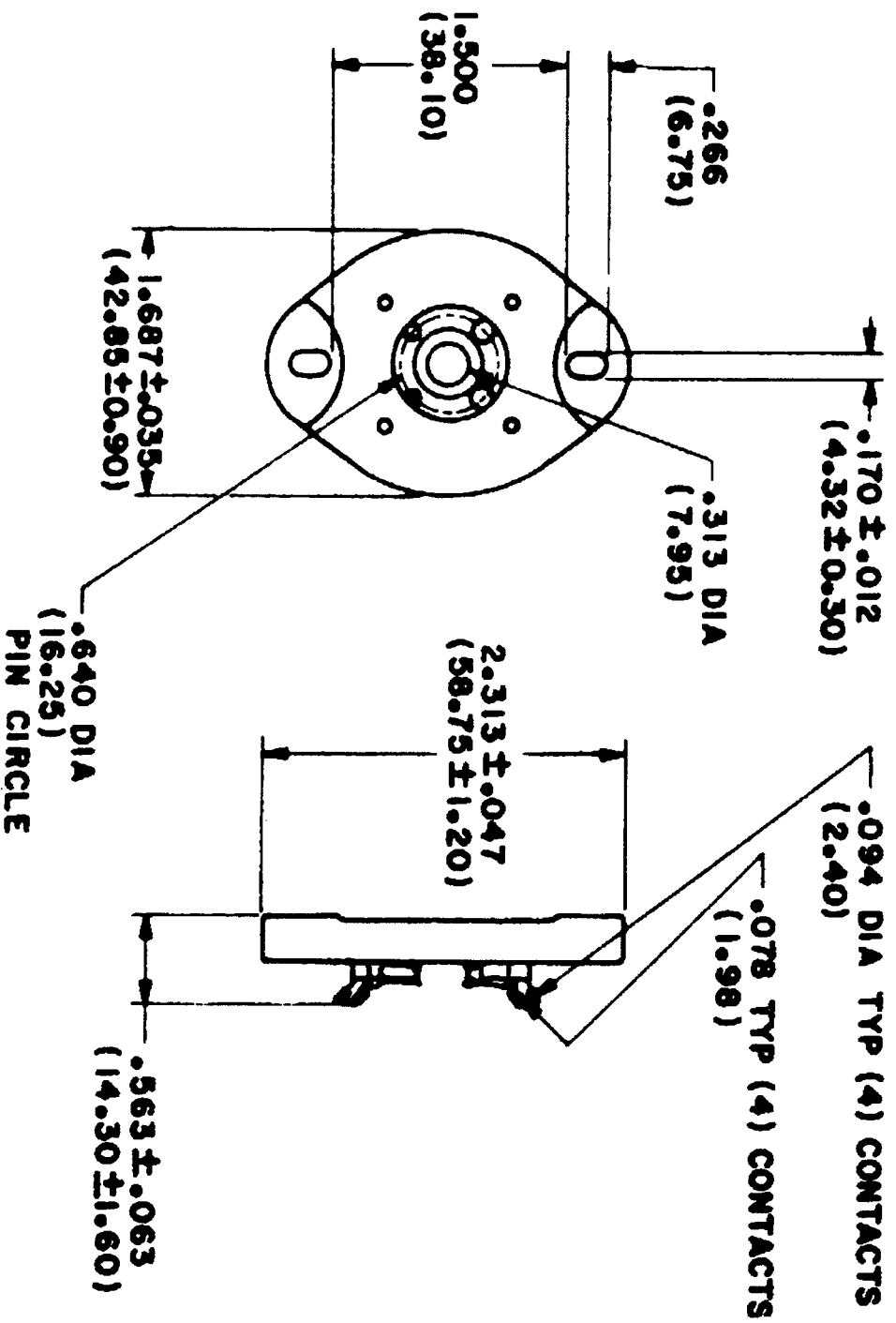
122-0225-200

ALL DIMENSIONS IN MILLIMETERS

NATIONAL ELECTRONICS

A Division of Richardson Electronics, Ltd.
LaFox, IL 60147 • (708) 208-2300

Richardson Electronics, Ltd.



Notes

- 1 Socket Can Be Mounted From Top or Bottom Of Chassis
- 2 Insulator Material Ceramic
- 3 Dimensions inches (millimeters)

122-0224-001

4 Pin Socket