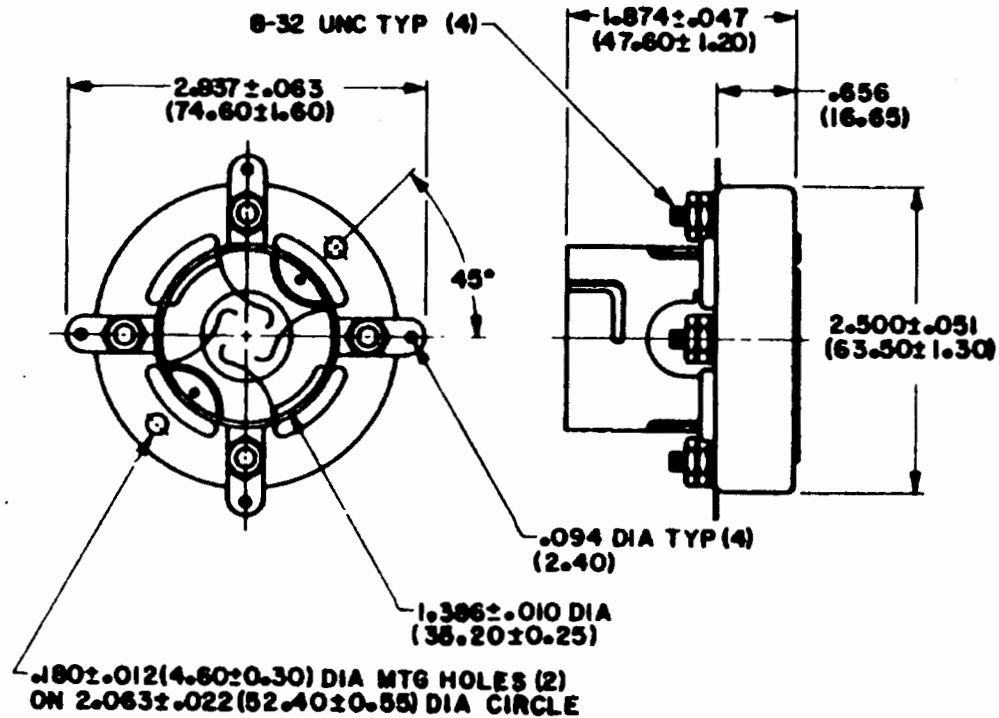


# Richardson Electronics, Ltd.



## Notes:

1. Insulator Material: Ceramic
2. Dimensions: inches (millimeters)

**123-0210-001**

4 Pin Bayonet Socket