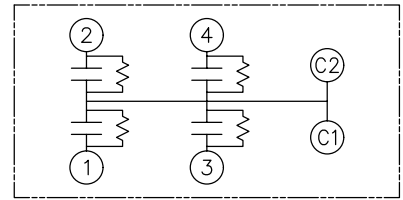
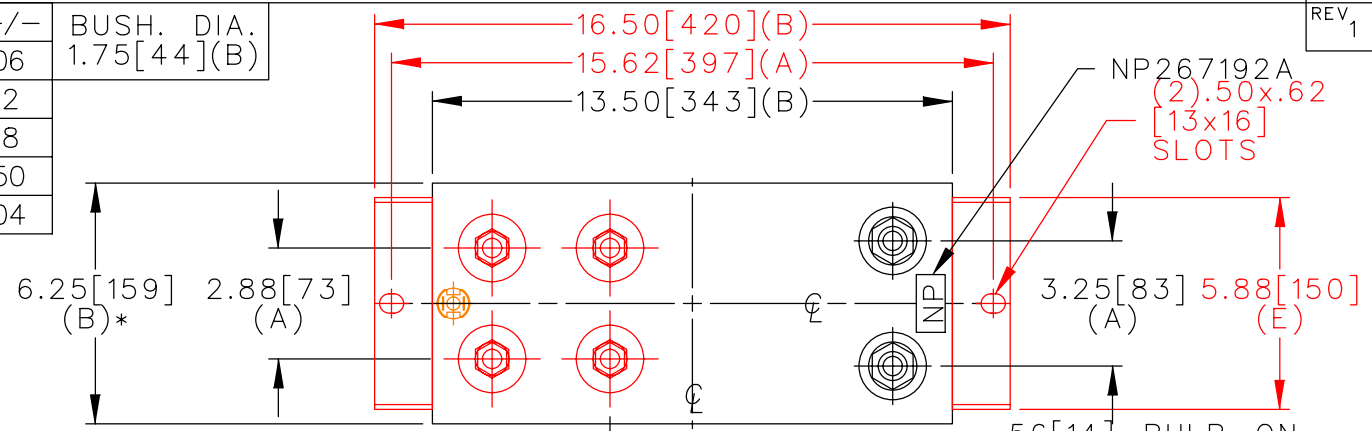
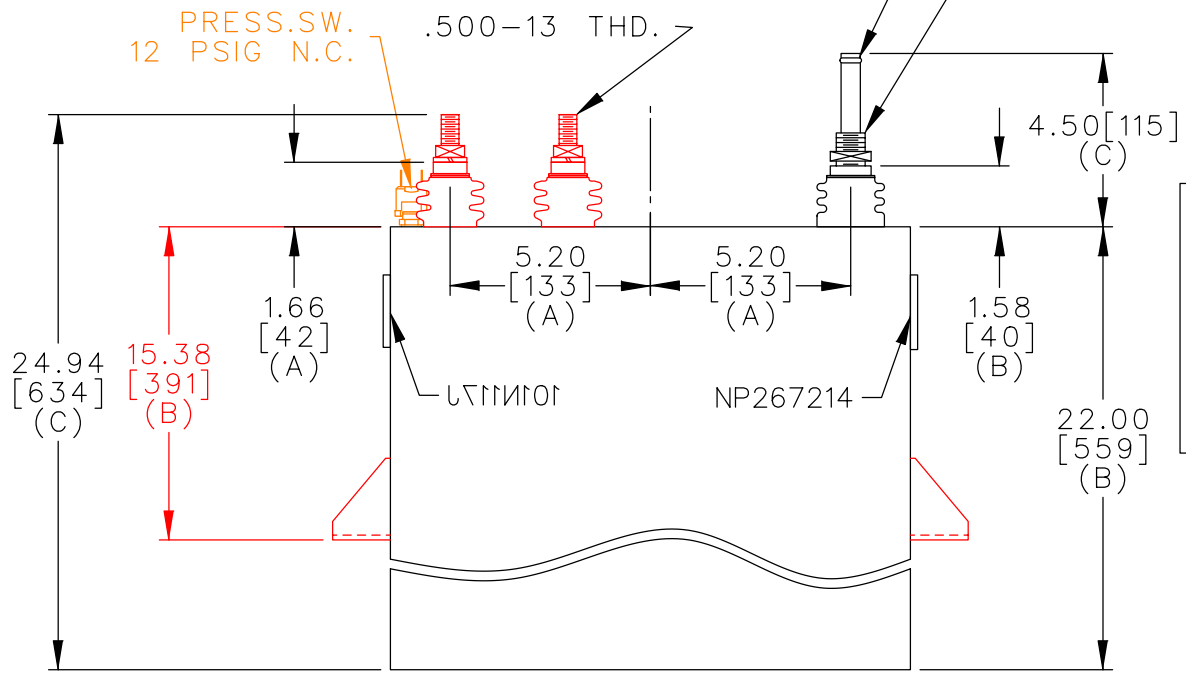


TOL	+/-	BUSH. DIA.
A	.06	1.75[44](B)
B	.12	
C	.18	
D	.50	
E	.04	

TERM	uF
1	70.74
2	70.74
3	70.74
4	70.74



SCHEMATIC DIAGRAM - 422



WITH INTERNAL DISCH RESISTORS  
 CAT 19L0452WH4 SN  
 1200KVAR 1500V 300HZ 1PH  
 4x70.74 UF/TAP  
 2.6 GAL COMBUSTIBLE LIQUID  
 CAUTION! BEFORE INSTALLING OR  
 OPERATING READ GEH-2733  
 NP267214

\* UP TO +.50[13]  
 CASE BULGE

MAX. TERMINAL  
 TIGHTENING TORQUE  
 15 FT-LBS

NP267192A

	CAPACITOR & POWER PROTECTION FORT EDWARD, N.Y., U.S.A.		SIZE <b>A</b>	UNIT WEIGHT 90 / 41 LB/KG	<b>OUTLINE</b> <b>19L0452WH4</b>	SHEET 2 CONT. 3 ON 3
	DRAWN E.McGINN	OCT. 19, 2000	SCALE	DISTR TO		
ISSUED	10-25-00	NP267192A	NP267214	NP267192A	NP267214	NP267192A