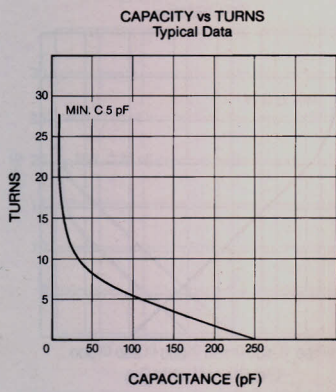
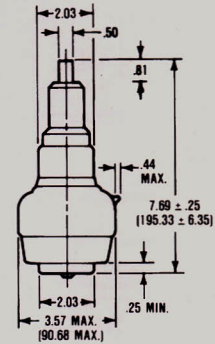
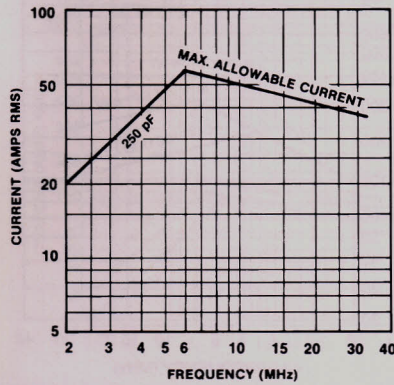


JENNINGS Model Number	Capacity Range (pF)	Voltage (kV) Peak		Current Amps (RMS) Max.	Type Ceramic or Glass	Nominal Dimensions				Torque (In. Lbs.) Max.	Direct Pull (Lbs.) Max.	Weight (Nominal)
		Test	Working			Inches		Millimeters				
						Length	Diam.	Length	Diam.			
UCSF-250-7.5S*	5-250	7.5	4.5	45	G	7.69	3.57	195.33	90.68	2.5	58	2 lb. 2 oz.
UCSF-250-10S*	5-250	10	6.0	50	G	7.69	3.57	195.33	90.68	2.5	58	2 lb. 2 oz.
UCSF-250-15S*	5-250	15	9.0	55	G	7.69	3.57	195.33	90.68	2.5	58	2 lb. 2 oz.
CVFP-250-30S	15-250	30	18	140	C	9.60	5.56	243.84	142.80	5.6	94	9 lb. 7 oz.
CVFP-250-35S	15-250	35	21	150	C	9.60	5.56	243.84	142.80	5.6	94	9 lb. 7 oz.
CVFP-250-40S	15-250	40	24	160	C	9.60	5.56	243.84	142.80	5.6	94	9 lb. 7 oz.
CVHP-250-45S	10-250	45	27	190	C	11.90	7.20	302.26	182.88	13	156	17 lb. 15 oz.
CVHP-250-50S	10-250	50	30	200	C	11.90	7.20	302.26	182.88	13	156	17 lb. 15 oz.
CVHP-250-55S	10-250	55	33	210	C	11.90	7.20	302.26	182.88	13	156	17 lb. 15 oz.

* UCSFN (non-magnetic version) available

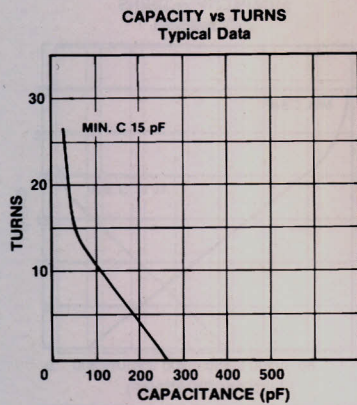


CONTINUOUS RMS AMPERES vs FREQUENCY (at 9kV PEAK WORKING VOLTAGE)

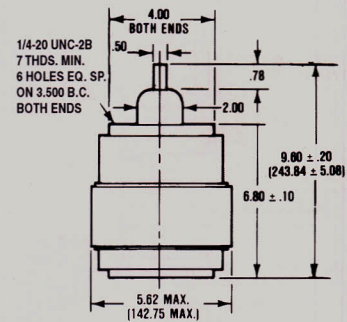
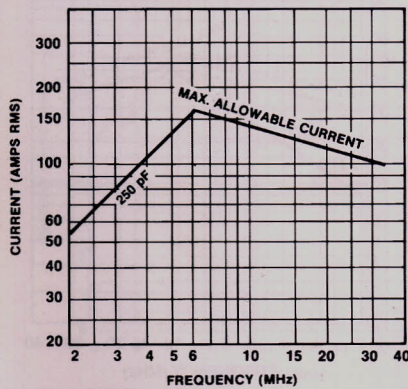


Mounting: Use flange FM2B on fixed end. Flange FM2 on variable end.

UCSF 250

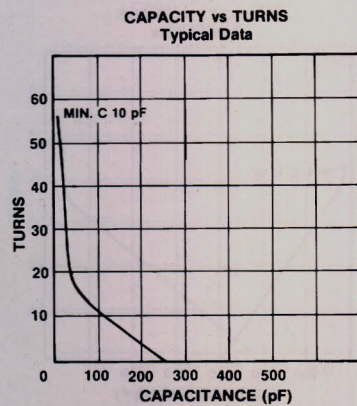


CONTINUOUS RMS AMPERES vs FREQUENCY (at 24kV PEAK WORKING VOLTAGE)

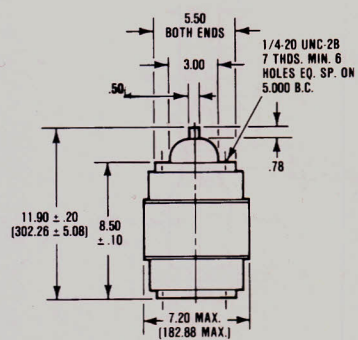
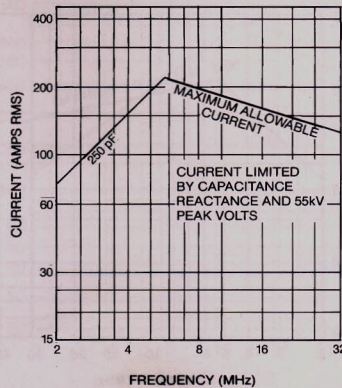


Mounting: Both ends have tapped holes.

CVFP 250



CONTINUOUS RMS AMPERES vs FREQUENCY (at 33 kV PEAK WORKING VOLTAGE)



Mounting: Both ends have tapped holes.

CVHP 250

