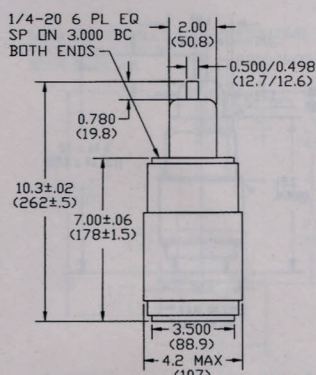


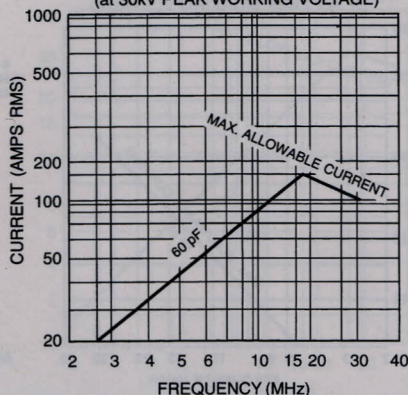
| JENNINGS Model Number | Capacity Range (pF) | Voltage (kV) Peak |         | Current Amps (RMS) Max. | Type Ceramic or Glass | Nominal Dimensions |       |             |        | Torque (In. Lbs.) Max. | Direct Pull (Lbs.) Max. | Weight (Nominal) |
|-----------------------|---------------------|-------------------|---------|-------------------------|-----------------------|--------------------|-------|-------------|--------|------------------------|-------------------------|------------------|
|                       |                     | Test              | Working |                         |                       | Inches             |       | Millimeters |        |                        |                         |                  |
|                       |                     |                   |         |                         |                       | Length             | Diam. | Length      | Diam.  |                        |                         |                  |
| CVHH-60-35S           | 5-60                | 35                | 21      | 120                     | C                     | 10.30              | 4.20  | 261.62      | 106.68 | -                      | -                       | 8 lb.            |
| CVHH-60-40S           | 5-60                | 40                | 24      | 130                     | C                     | 10.30              | 4.20  | 261.62      | 106.68 | -                      | -                       | 8 lb.            |
| CVHH-60-45S           | 5-60                | 45                | 27      | 140                     | C                     | 10.30              | 4.20  | 261.62      | 106.68 | -                      | -                       | 8 lb.            |
| CVHH-60-50S           | 5-60                | 50                | 30      | 150                     | C                     | 10.30              | 4.20  | 261.62      | 106.68 | -                      | -                       | 8 lb.            |
| CVFA-75-0020          | 7-75                | 20                | 12      | 33                      | C                     | 8.75               | 2.66  | 222.25      | 67.56  | 2.5                    | 50                      | 2 lb. 9 oz.      |
| CVFA-75-0025          | 7-75                | 25                | 15      | 42                      | C                     | 8.75               | 2.66  | 222.25      | 67.56  | 2.5                    | 50                      | 2 lb. 9 oz.      |
| CVFA-75-0030          | 7-75                | 30                | 18      | 50                      | C                     | 8.75               | 2.66  | 222.25      | 67.56  | 2.5                    | 50                      | 2 lb. 9 oz.      |
| UHC-75-35S            | 10-75               | 35                | 21      | 60                      | G                     | 11.44              | 5.00  | 290.58      | 127.00 | 1.5                    | 42                      | 2 lb. 9 oz.      |
| UHC-75-45S            | 10-75               | 45                | 27      | 65                      | G                     | 11.44              | 5.00  | 290.58      | 127.00 | 1.5                    | 42                      | 2 lb. 9 oz.      |
| UHC-75-55S            | 10-75               | 55                | 33      | 70                      | G                     | 11.44              | 5.00  | 290.58      | 127.00 | 1.5                    | 42                      | 2 lb. 9 oz.      |
| UHC-75-60S            | 10-75               | 60                | 36      | 75                      | G                     | 11.44              | 5.00  | 290.58      | 127.00 | 1.5                    | 42                      | 2 lb. 9 oz.      |

## CVHH 60

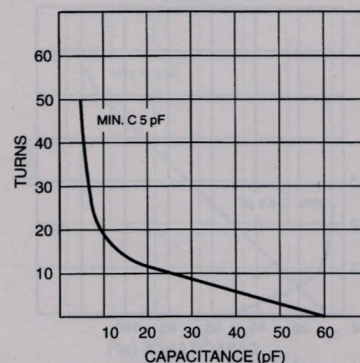


Mounting: Both ends have tapped holes.

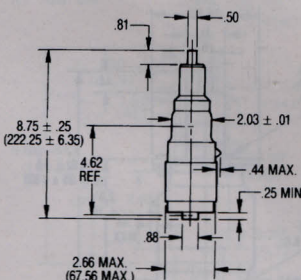
CONTINUOUS RMS AMPERES vs FREQUENCY (at 30kV PEAK WORKING VOLTAGE)



CAPACITY vs TURNS Typical Data

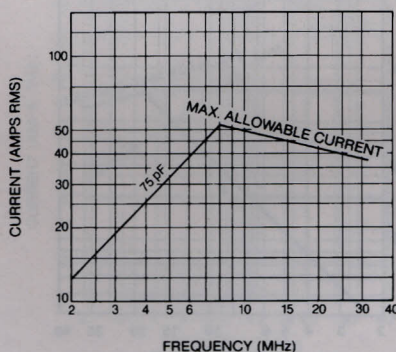


## CVFA 75

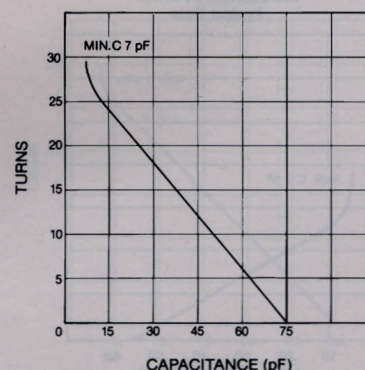


Mounting: Use flange FMOB on fixed end. FM2 on variable end.

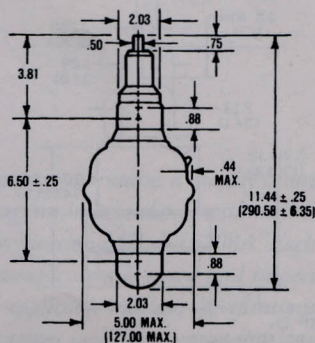
CONTINUOUS RMS AMPERES vs FREQUENCY (at 18kV PEAK WORKING VOLTAGE)



CAPACITY vs TURNS Typical Data

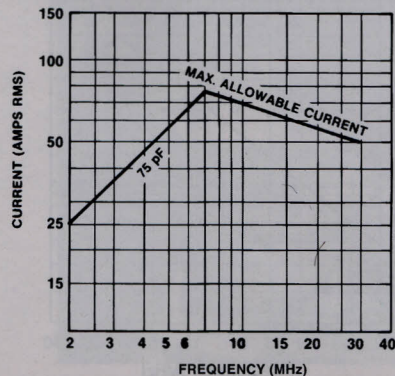


## UHC 75



Mounting: Both ends use Jennings FM2D flange.

CONTINUOUS RMS AMPERES vs FREQUENCY (at 36kV PEAK WORKING VOLTAGE)



CAPACITY vs TURNS Typical Data

