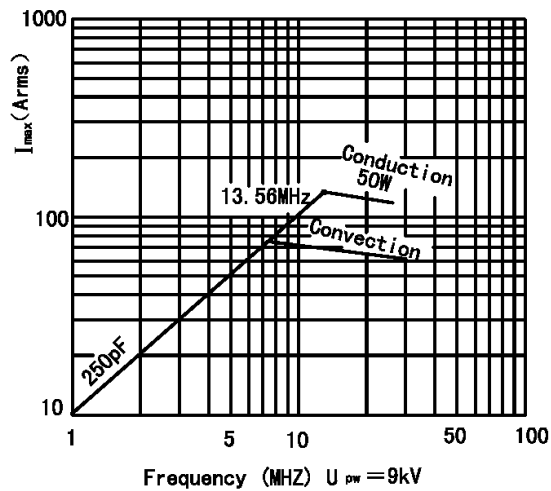
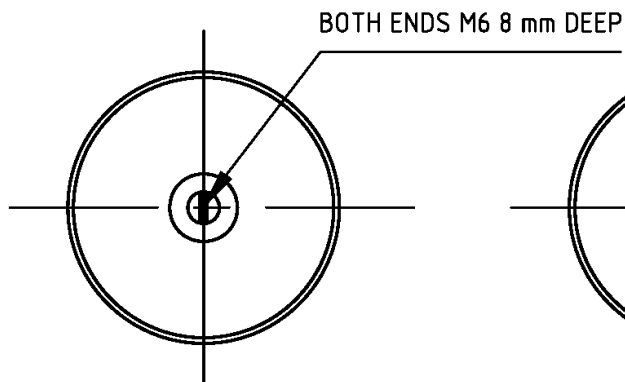


Specification	
Capacity C_{max} (nominal)	250pF
Voltage (Peak Test U_{pt} /Peak Working U_{pw})	15kV/9kV
Capacity tolerance	5%
Max. Current I_{max} at 13.56MHz with	134Arms
Conduction Cooling	50W
Net Weight	0.41kg

I_{max} at ambient and °C surface for convection and conduction (50w) cooling



VIEW A



VIEW B

