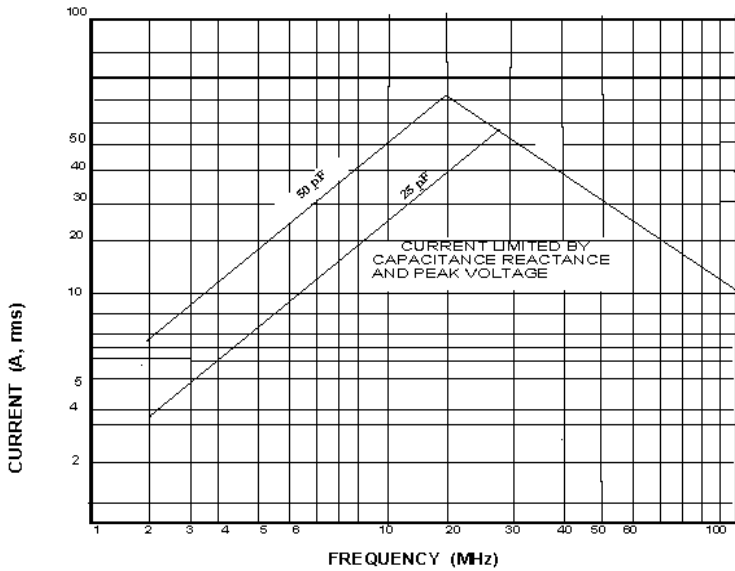


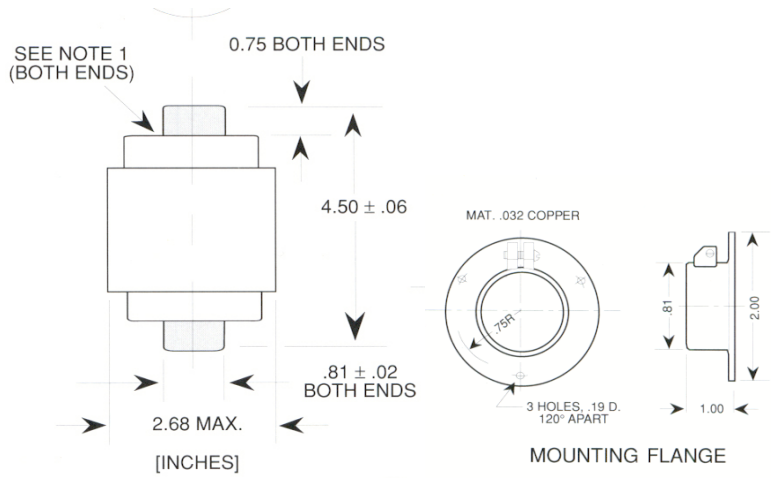
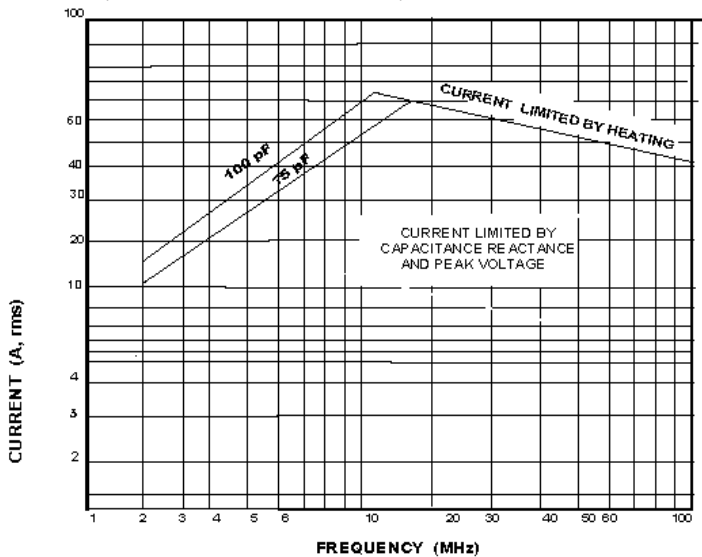


Peak Test Voltage	Model Number	Capacity (pF) +0.15	Peak Working Volt. (kV)	AMPS (RMS) Max.	Nominal Dimensions				Type	Weight (NOM.)
					Inches		Millimeters			
					Length	Diameter	Length	Diameter		
25	CKTI-25-0025	25±10%	15	50	4.5	2.68 MAX	114.0	68.0 MAX.	C	1 lb. 6 oz.
25	CKTI-50-0025	50±10%	15	60	4.5	2.68 MAX	114.0	68.0 MAX.	C	1 lb. 6 oz.
25	CKTI-75-0025	75±5%	15	65	4.5	2.68 MAX	114.0	68.0 MAX.	C	1 lb. 6 oz.
25	CKTI-100-0025	100±5%	15	75	4.5	2.68 MAX	114.0	68.0 MAX.	C	1 lb. 6 oz.

CKTI - 25 AND CKTI-50
CONTINUOUS RMS AMPERES vs. FREQUENCY
(at 15kV PEAK WORKING VOLTAGE)



CKTI - 75 AND CKTI - 100
CONTINUOUS RMS AMPERES vs. FREQUENCY
(at 15kV PEAK WORKING VOLTAGE)



NOTE 1: TUBULATION COVER
MUST BE PERMANENTLY AFFIXED
AND FLUSHED WITH PLATE

SHADED AREAS INDICATE
MOUNTING SURFACES