



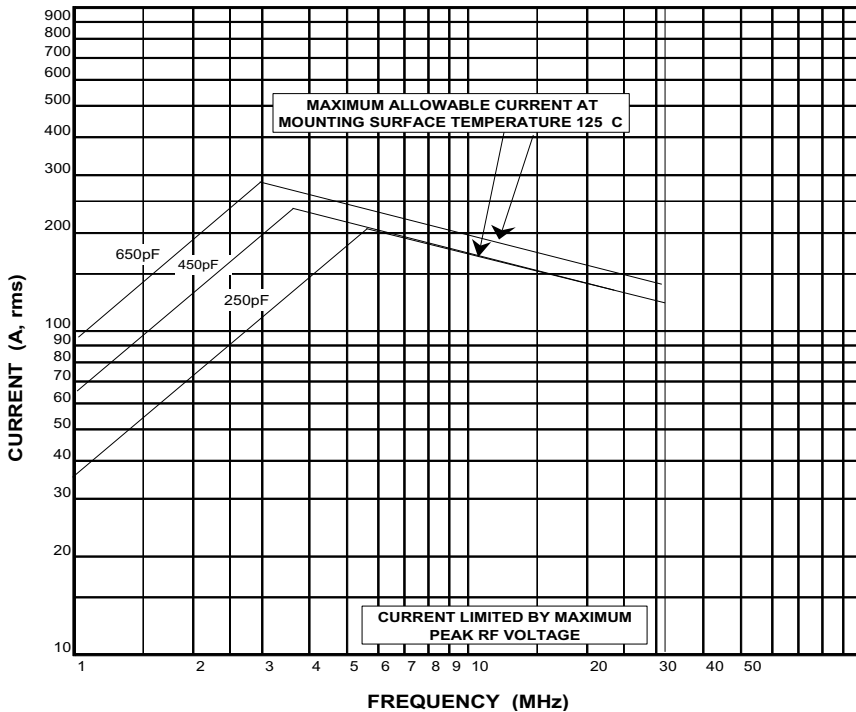
CVHP 250, 450, 650 SPECIFICATIONS

Model Number	Capacity Range (pF)	Voltage (kV) Peak		Current Amps (RMS) Max.	Type	Nominal Dimensions		Torque (in lbs.) Max.	Direct Pull (lbs.) Max.	Weight (nominal)
		Test	Working			Length (in/mm)	Diam. (in/mm)			
CVHP-250-45S	10-250	45	27	190	Ceramic	11.90 / 302.26	7.20 / 182.88	13	156	17 lb. 15 oz.
CVHP-250-45S	10-250	50	30	200	Ceramic	11.90 / 302.26	7.20 / 182.88	13	156	17 lb. 15 oz.
CVHP-250-45S	10-250	55	33	210	Ceramic	11.90 / 302.26	7.20 / 182.88	13	156	17 lb. 15 oz.
CVHP-450-45S	25-450	45	27	200	Ceramic	11.90 / 302.26	7.20 / 182.88	13	134	18 lb. 8oz.
CVHP-450-50S	25-450	50	30	210	Ceramic	11.90 / 302.26	7.20 / 182.88	13	134	18 lb. 8oz.
CVHP-450-55S	25-450	55	33	220	Ceramic	11.90 / 302.26	7.20 / 182.88	13	134	18 lb. 8oz.
CVHP-650-45S*	30-650	45	27	220	Ceramic	11.90 / 302.26	7.20 / 182.88	13	180	19 lb.
CVHP-650-50S*	30-650	50	30	230	Ceramic	11.90 / 302.26	7.20 / 182.88	13	180	19 lb.
CVHP-650-55S*	30-650	55	33	240	Ceramic	11.90 / 302.26	7.20 / 182.88	13	180	19 lb.

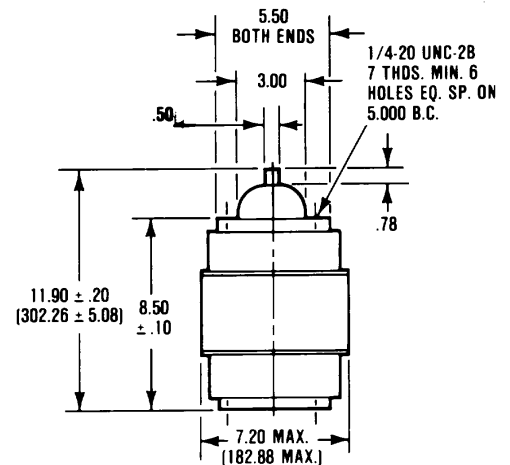
NOTES:

Mounting: Both ends have tapped holes.

* CVHM (metric version) available.

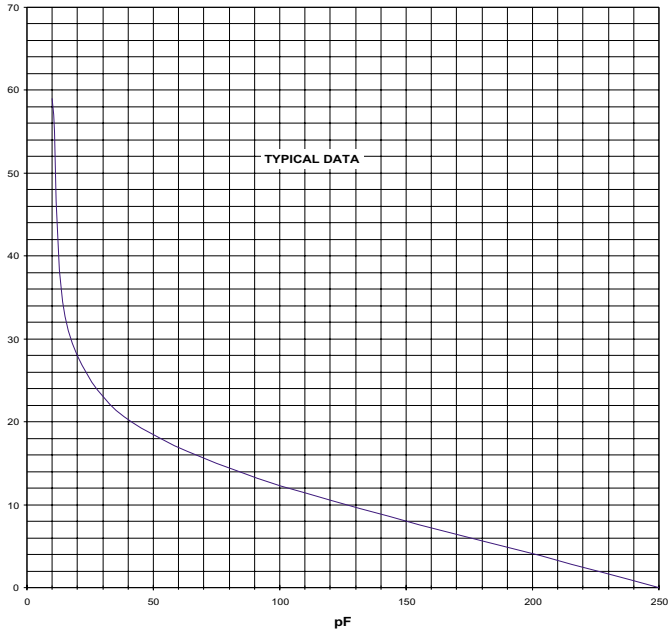


CONTINUOUS CURRENT VS FREQUENCY AT 33 kV PEAK RF VOLTAGE

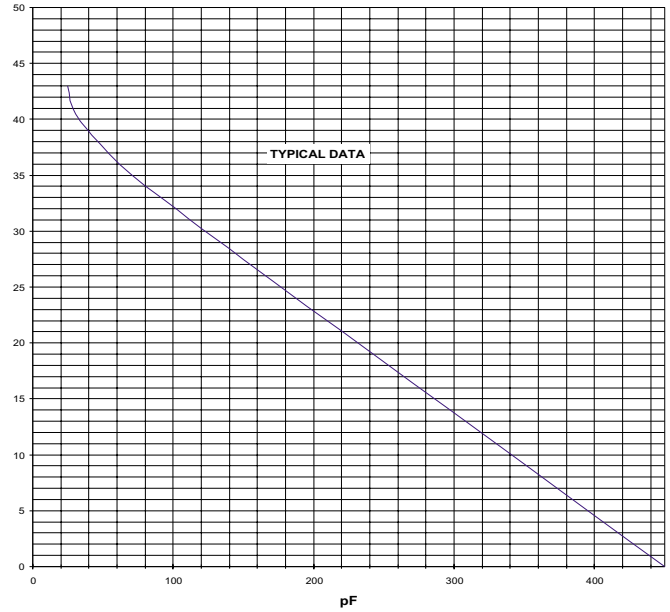




CAPACITANCE VS TURNS
CVHP-250



CAPACITANCE VS TURNS
1/4-28 CAP ADJ SCREW
CVHP-450



CAPACITANCE VS TURNS
CWV3-650

