

## Description:

The NL10251-4LOW is a (CW) magnetron tube that delivers 1.5 kW continuous output power.

- 1.5 kW CW power output
- Water-cooled anode
- Probe Output
- Drop in replacement for the Fusion (Axcelis) part number 085331 used in the photostabalizer system M200PCU used in wafer fab tools.
- Operating frequency differs slightly (“low”) from 2450 MHz



## Characteristic Parameters:

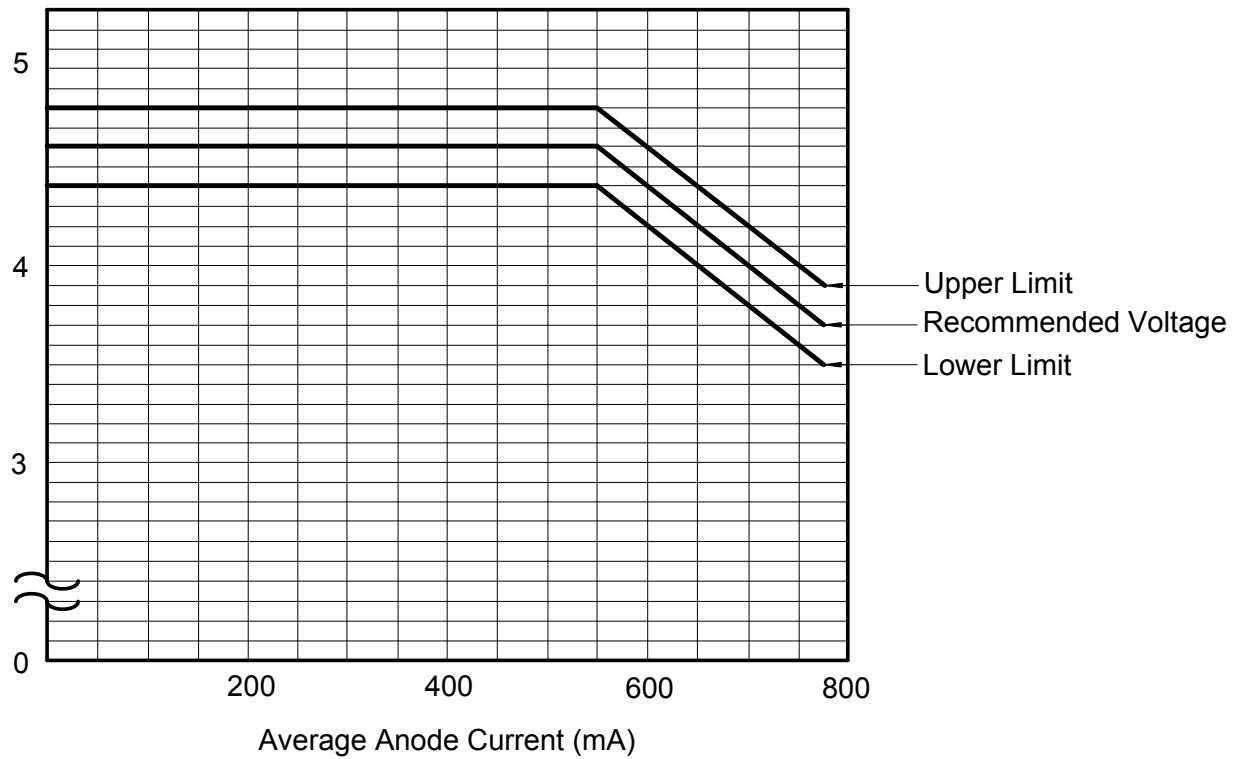
### ELECTRICAL

Operating frequency:	LOW
Power output:	1.5 kW (into a matched load)
Anode voltage:	3.6kV
Average Anode current:	725 mA
Filament voltage (standby):	4.6 Vac
Filament voltage (operation):	See filament voltage reduction schedule Figure 1
Load VSWR	≤ 1.1

### MECHANICAL

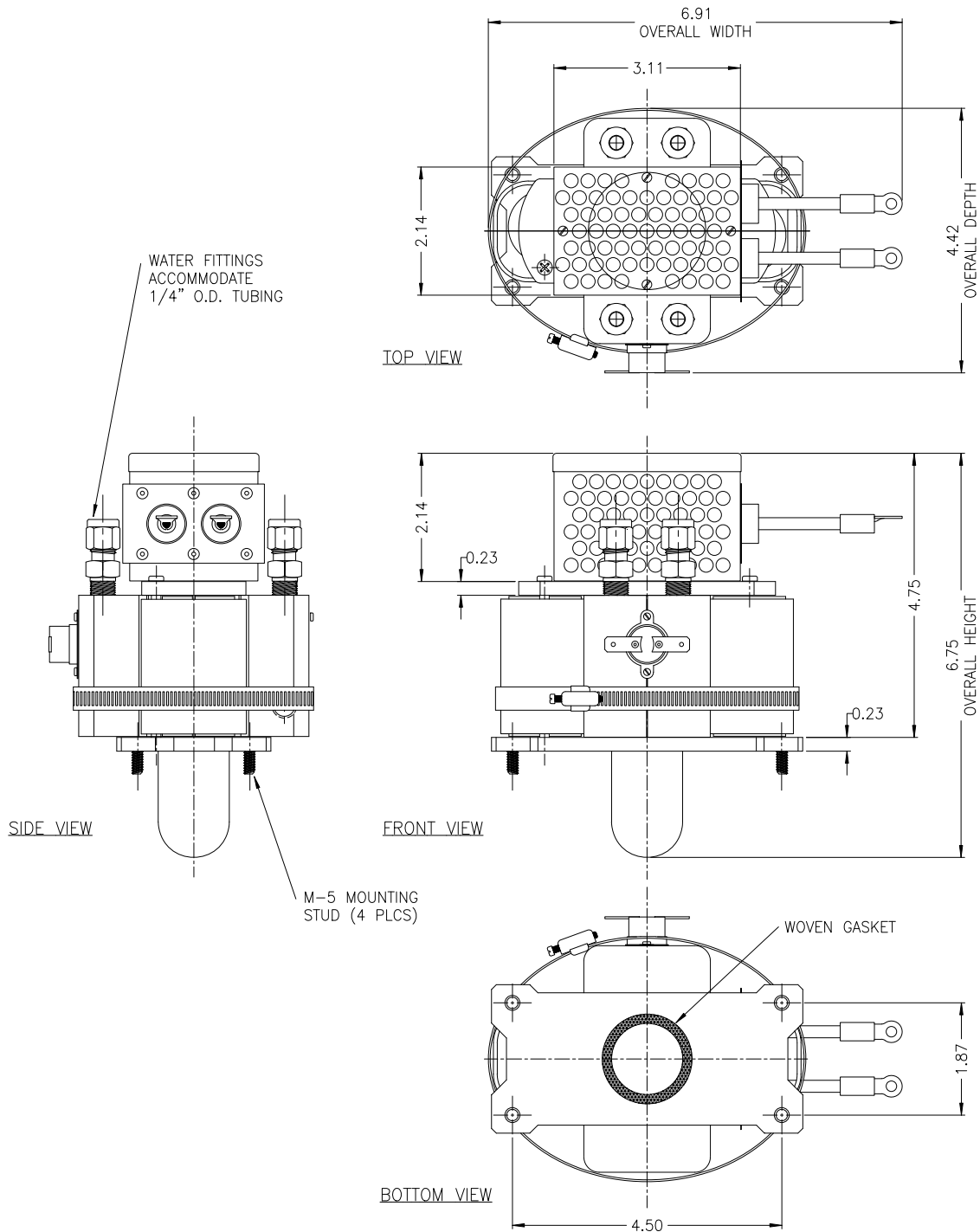
RF launch type:	Into Rectangular waveguide or into oven cavity
Net Weight:	6.3 lbs. (2.8 Kg)

**Fig. 1 Reduction Chart of Filament Voltage**



*Note: Specifications subject to change without notice.*

**Outline Drawing:**



*Note: Unless otherwise noted, dimensions are nominal values in inches. Specifications subject to change without notice.*