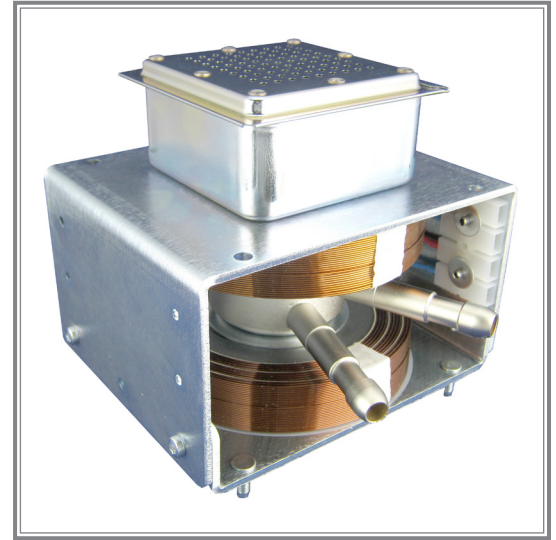


Description:

Packaged, metal-ceramic, water cooled continuous-wave magnetron with integral RF cathode filter intended for use in industrial microwave heating applications. The tube features a quick-heating cathode, high efficiency, and has a typical output power of 6 kW.

A packaged permanent magnet and an integrated electromagnet system allow accurate output power control and stabilization.

- **6.0 kW CW power output**
- **Integrated Electromagnet**
- **Water cooled anode**
- **Probe Output**



Characteristic Parameters:

ELECTRICAL

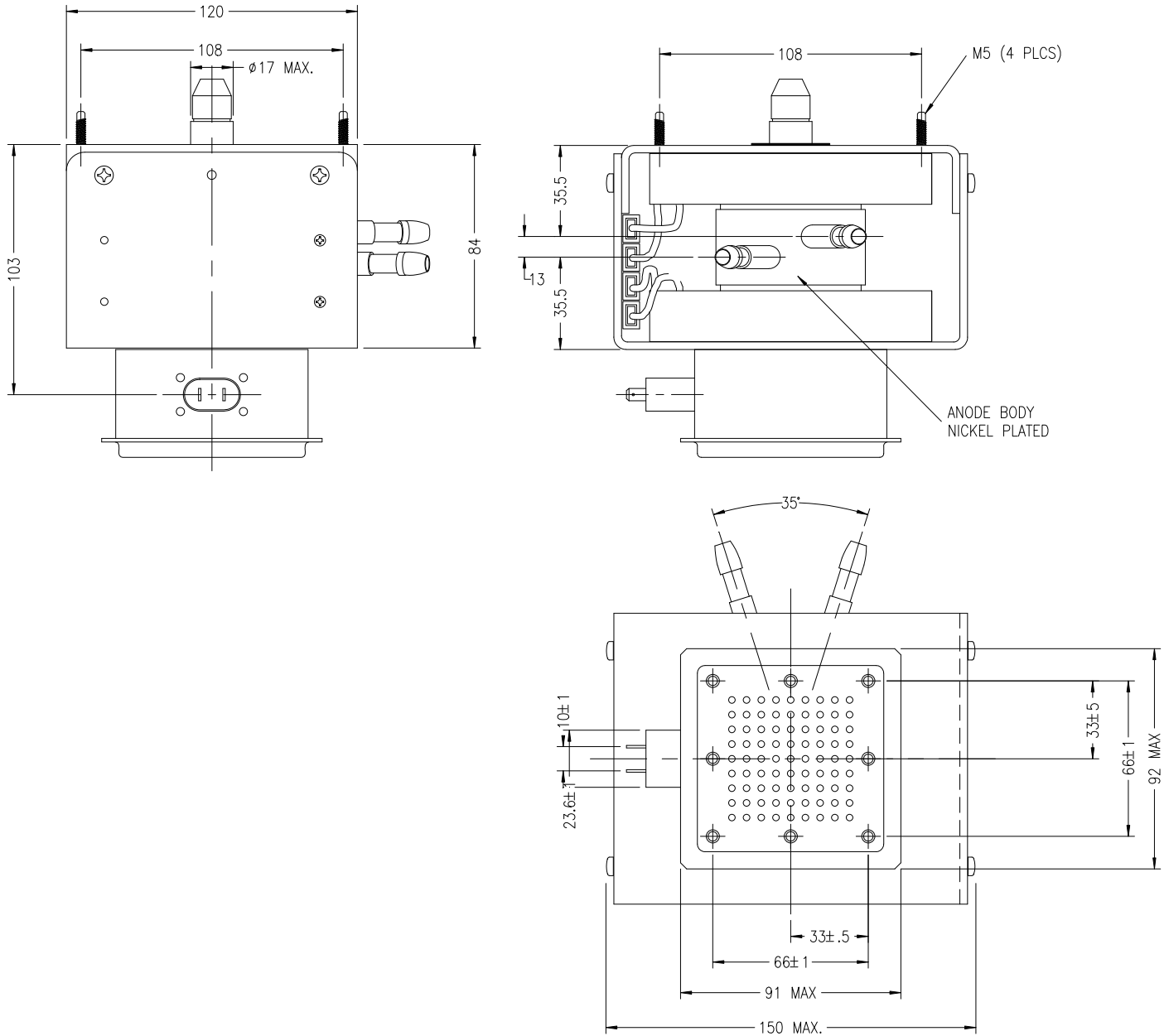
Operating frequency:	2.45 to 2.47 GHz
Power output:	6.0 kW (With Circulator)
Peak Anode voltage:	7.2 kV
Average Anode current:	1,150 mA
Filament voltage (standby):	5 Vac
Filament voltage (operation):	0.5 Vac
Load VSWR	≤1:1

MECHANICAL

RF launch type:	Into Rectangular waveguide
Net Weight:	9.6 lbs. (4.3 Kg)

**Made In The USA**

Outline Drawing:



Note: Unless otherwise noted, dimensions are nominal values in mm. Specifications subject to change without notice.