

R.F. POWER TRIODE

QUICK REFERENCE DATA

freq. MHz	class-C										class-B	
	telegraphy		grounded grid		oscillator		oscillator, industrial				modulator	
	V_a kV	W_o W	V_a kV	W_o^* W	V_a kV	W_o^* W	V_a kV	W_o W	V_a kV	W_o W	V_a kV	W_o^* W
100	4	1200			4	2320					4	1500
	3	840	3	1936	3	1626					3	1360
	2,5	750	2,5	1747							2,5	1140
	2	585	2	1374								
	1,5	425	1,5	1040								
50							3,5	1100	4	630		
							2,25	685	3	415		

HEATING: direct, parallel supply; thoriated tungsten filament

Filament voltage $V_f = 5$ V

Filament current $I_f = 14,1$ A

The filament is designed to accept temporary fluctuations of +5% and -10%

CAPACITANCES

Anode to all other elements except grid $C_a = 0,16$ pF

Grid to all other elements except anode $C_g = 6,3$ pF

Anode to grid $C_{ag} = 5,0$ pF

TYPICAL CHARACTERISTICS

Anode voltage $V_a = 3$ kV

Anode current $I_a = 90$ mA

Mutual conductance $S = 5$ mA/V

Amplification factor $\mu = 25$

* Two tubes.

TEMPERATURE LIMITS

Absolute maximum rating system

Bulb temperature

T_{bulb} max. 350 °C

Anode seal temperature

T_a max. 220 °C

Pin temperature

T_{pin} max. 180 °C

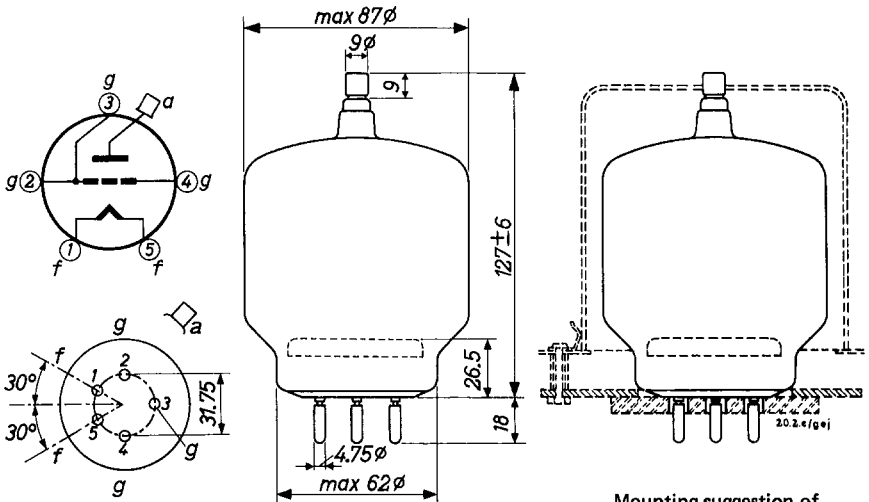
COOLING

In cases where the maximum permissible temperatures are likely to be exceeded, as would normally be the case at frequencies above 30 MHz with full ratings, a low-velocity air flow has to be directed onto the anode seal and the bottom of the envelope. The cooling will be facilitated by the use of a blower and a glass chimney type 40666.

MECHANICAL DATA

Socket	2422 512 01001
Anode connector (clip)	40712
Chimney	40666

Base	Giant 5 p.
Net mass	190 g



Mounting position vertical with base up or down

In order to prevent overheating of the grid pins by high-frequency current it is recommended to include the three grid socket connections in the circuit.

R.F. CLASS C TELEGRAPHY OR F.M. TELEPHONY

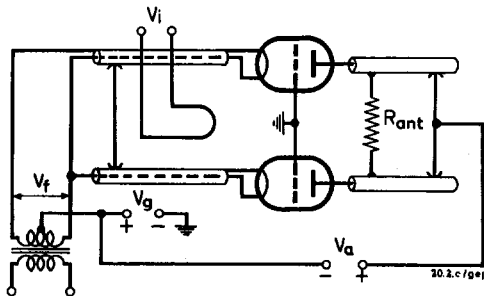
LIMITING VALUES (Absolute limits)

Frequency	f	up to	100	MHz
Anode voltage	V_a	= max.	4	kV
Anode input power	W_{ia}	= max.	1550	W
Anode dissipation	W_a	= max.	350	W
Negative grid voltage	$-V_g$	= max.	500	V
Grid dissipation	W_g	= max.	40	W
Grid circuit resistance	R_g	= max.	100	k Ω
Cathode current	I_k	= max.	500	mA

OPERATING CONDITIONS

Frequency	f	=	100	100	100	100	100	MHz
Anode voltage	V_a	=	4	3	2.5	2	1.5	kV
Grid voltage	V_g	=	-350	-250	-200	-150	-120	V
Peak grid A.C. voltage	V_{gp}	=	535	430	380	320	295	V
Anode current	I_a	=	380	363	400	400	400	mA
Grid current	I_g	=	80	69	69	80	80	mA
Driving power	W_{dr}	=	40	27	23.5	23	21.5	W
Anode input power	W_{ia}	=	1520	1090	1000	800	600	W
Anode dissipation	W_a	=	320	250	250	215	175	W
Output power	W_o	=	1200	840	750	585	425	W
Efficiency	η	=	79	77	75	73	71	%

R.F. CLASS C TELEGRAPHY OR F.M. TELEPHONY (continued)
OPERATING CONDITIONS, grounded grid, two tubes



Frequency	f	=	100	100	100	100	MHz
Anode voltage	V_a	=	3	2.5	2	1.5	kV
Grid voltage	V_g	=	-250	-200	-150	-120	V
Peak grid							
A.C. voltage	V_{gp}	=	430	380	320	295	V
Anode current	I_a	=	726	800	800	800	mA
Grid current	I_g	=	138	138	160	160	mA
Driving power	W_{dr}	=	310	294	250	233	W
Anode input power	W_{ia}	=	2180	2000	1600	1200	W
Anode dissipation	W_a	=	500	500	430	350	W
Output power	W_o	=	1680+256	1500+247	1170+204	850+190	W ¹⁾
Efficiency	η	=	77	75	73	71	%

¹⁾ Power transferred from driving stage included

R.F. CLASS C OSCILLATOR

LIMITING VALUES (Absolute limits)

Frequency	f	up to	100	MHz
Anode voltage	V_a	= max.	4	kV
Anode input power	W_{ia}	= max.	1550	W
Anode dissipation	W_a	= max.	350	W
Negative grid voltage	$-V_g$	= max.	500	V
Grid dissipation	W_g	= max.	40	W
Grid circuit resistance	R_g	= max.	100	k Ω
Cathode current	I_k	= max.	500	mA

OPERATING CONDITIONS, two tubes

Frequency	f	=	100	100	MHz
Anode voltage	V_a	=	4	3	kV
Anode current	I_a	=	760	726	mA
Grid current	I_g	=	160	138	mA
Grid resistor	R_g	=	2200	1800	Ω
Driving power	W_{dr}	=	80	54	W
Anode input power	W_{ia}	=	3040	2180	W
Anode dissipation	W_a	=	640	500	W
Output power	W_o	=	2320	1626	W
Efficiency	η	=	77	75	%



R.F. CLASS C OSCILLATOR FOR INDUSTRIAL USE with anode voltage from single-phase full-wave rectifier without filter

LIMITING VALUES (Absolute limits)

Frequency	f	up to 50	up to 100	up to 150	MHz
Anode voltage	V_a	= max. 3.8	max. 2.7	max. 1.8	kV
Anode input power	W_{ia}	= max. 1500	max. 975	max. 650	W
Anode dissipation	W_a	= max. 350	max. 350	max. 350	W
Negative grid voltage	$-V_g$	= max. 500	max. 500	max. 500	V
Grid dissipation	W_g	= max. 40	max. 40	max. 40	W
Grid circuit resistance	R_g	= max. 100	max. 100	max. 100	k Ω
Cathode current	I_k	= max. 450	max. 450	max. 450	mA

OPERATING CONDITIONS

Frequency	f	=	50	50	MHz
Anode voltage	V_a	=	3.5	2.25	kV
Anode current	I_a	=	325	340	mA
Grid current	I_g	=	65	60	mA
Grid resistor	R_g	=	4500	3330	Ω
Anode input power	W_{ia}	=	1400	935	W
Anode dissipation	W_a	=	300	250	W
Output power	W_o	=	1100	685	W
Efficiency	η	=	78	73	%
Output power in the load	W_l	=	900	560	W

R.F. CLASS C OSCILLATOR FOR INDUSTRIAL USE with self rectification,
180° phase shift between V_a and V_g

LIMITING VALUES (Absolute limits)

Frequency	f	up to 50	up to 100	up to 150	MHz
Transformer voltage	$V_{tr} = \text{max.}$	4.5	max. 3.5	max. 2.25	kV_{RMS}
Anode input power	$W_{ia} = \text{max.}$	900	max. 730	max. 500	W
Anode dissipation	$W_a = \text{max.}$	350	max. 350	max. 350	W
Negative grid voltage	$-V_g = \text{max.}$	500	max. 500	max. 500	V
Grid dissipation	$W_g = \text{max.}$	40	max. 40	max. 40	W
Grid circuit resistance	$R_g = \text{max.}$	100	max. 100	max. 100	$k\Omega$
Cathode current	$I_k = \text{max.}$	285	max. 285	max. 285	mA

OPERATING CONDITIONS

Frequency	f	=	50	50	MHz
Transformer voltage	$V_{tr} =$		4	3	kV_{RMS}
Anode current	$I_a =$		190	180	mA
Driving voltage	$V_g =$		280	110	V_{RMS}
Grid current	$I_g =$		35	32	mA
Grid resistor	$R_g =$		5500	3000	Ω
Anode input power	$W_{ia} =$		840	600	W
Anode dissipation	$W_a =$		210	185	W
Output power	$W_o =$		630	415	W
Efficiency	$\eta =$		75	69	%
Output power in the load	$W_l =$		515	350	W

A.F. CLASS B AMPLIFIER AND MODULATOR, two tubes in push-pull

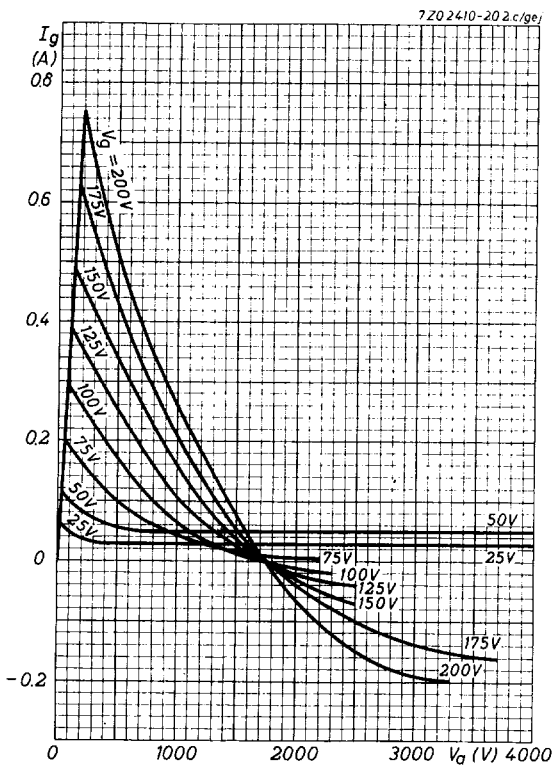
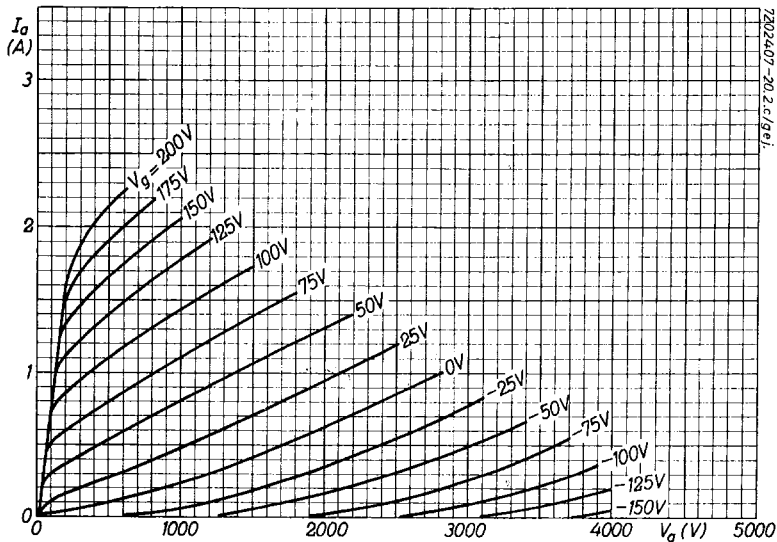
LIMITING VALUES (Absolute limits)

Anode voltage	V_a	=	max.	4	kV
Anode input power	W_{ia}	=	max.	1550	W
Anode dissipation	W_a	=	max.	350	W
Negative grid voltage	$-V_g$	=	max.	500	V
Grid dissipation	W_g	=	max.	40	W
Grid circuit resistance	R_g	=	max.	100	k Ω
Cathode current	I_k	=	max.	500	mA

OPERATING CONDITIONS

V_a	=	4	3	2.5	kV
V_g	=	-135	-102	-77.5	V ¹⁾
$R_{aa} \sim$	=	20	14.5	12	k Ω
V_{ggp}	=	0 485	0 475	0 400	V
I_a	=	2x88 2x270	2x60 2x290	2x90 2x300	mA
I_g	=	0 2x30	0 2x60	0 2x55	mA
W_{dr}	=	0 2x7	0 2x13	0 2x10	W
W_{ia}	=	2x350 2x1080	2x180 2x870	2x225 2x750	W
W_a	=	2x350 2x305	2x180 2x190	2x225 2x180	W
W_o	=	0 1550	0 1360	0 1140	W
d_{tot}	=	- < 2.5	- < 2.5	- < 2.5	%
η	=	- 71.7	- 78.1	- 76	%

¹⁾ To be adjusted for zero signal anode current



7Z00653-20.2.c/gej.

