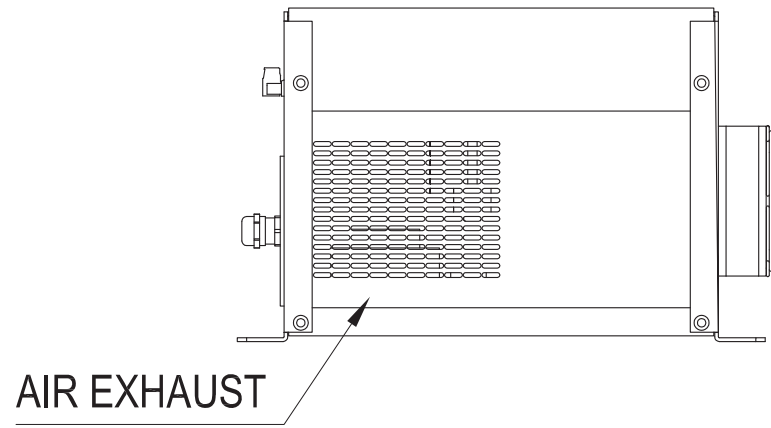
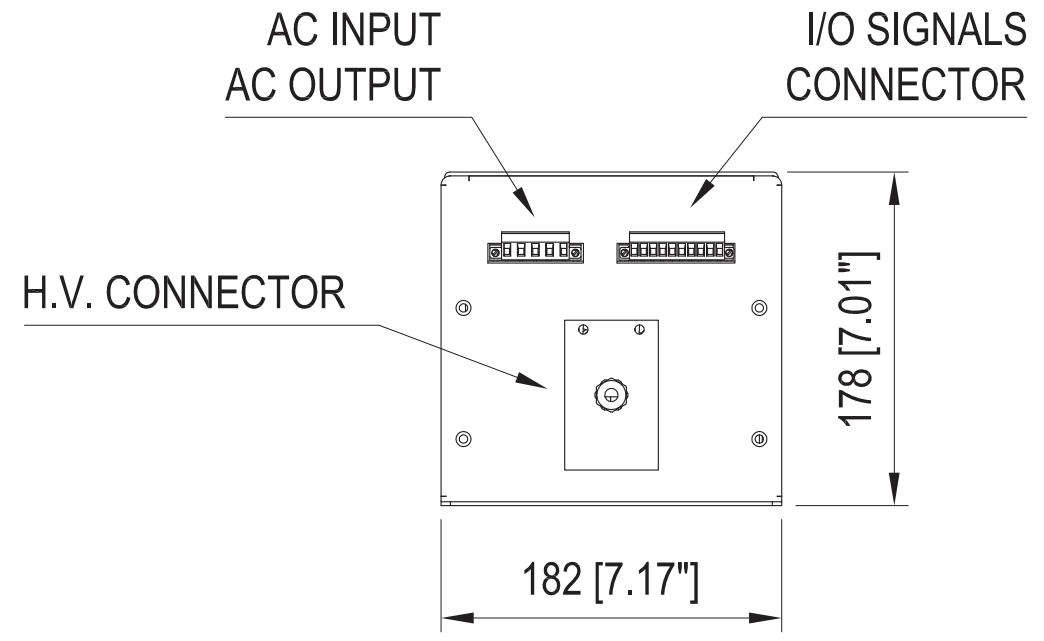


AIR ENTRANCE



AIR EXHAUST



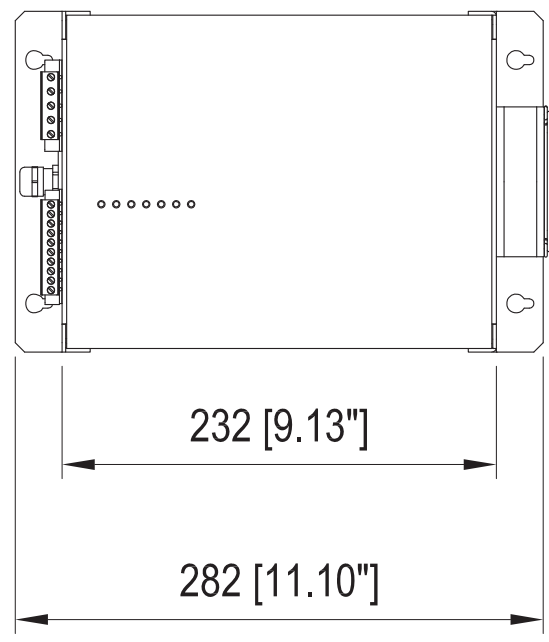
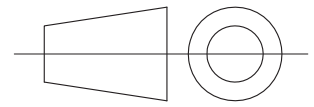
AC INPUT  
AC OUTPUT

I/O SIGNALS  
CONNECTOR

H.V. CONNECTOR

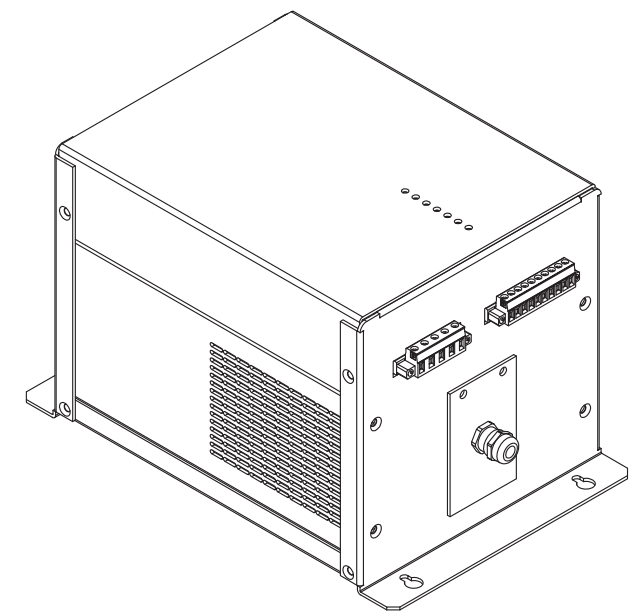
182 [7.17"]

178 [7.01"]



232 [9.13"]

282 [11.10"]



Dimensional Drawing —  
Note: Unless otherwise specified, dimensions are nominal values in millimeters (inches referenced).