

MAF1422B

X-Band Magnetron

MAF1422B is designed for the magnetron of x-band radar system. The frequency range is fixed <9380 ~ 9440MHz> and the peak output power is 6kW.

— MAXIMUM RATINGS —

	Min	Max	Unit
Peak anode current	2.5	6.0	A
Peak anode power input	—	30	kW
Duty cycle	—	0.001	—
Pulse duration	0.05	1.0	μs
Rate of rise of voltage pulse	—	70	kV/μs
Anode temperature	—	100	°C
V.S.W.R at the output coupler	—	1.5:1	—

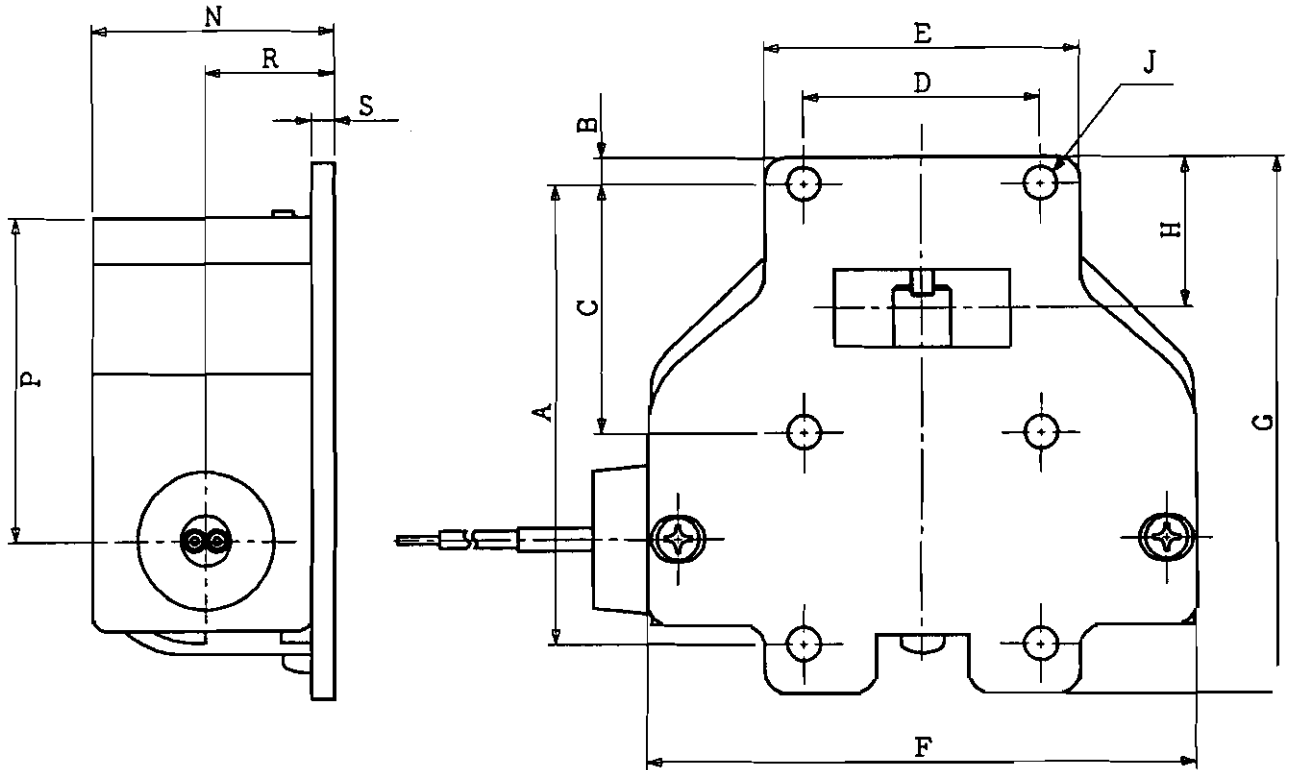
— ELECTRICAL —

	Min	Typical	Max	Unit
Heater voltage (Note 1)	5.7	6.3	6.9	V
Preheat time	60	—	—	S
Peak anode voltage (Note 2)	4.4	4.6	4.8	kV
Peak output power (Note 2)	6.0	6.5	—	kW
Frequency (Note 2)	9380	9410	9440	MHz

Note 1: Measured with heater voltage of 6.3V and no anode input power, the heater current limits are 0.5A minimum, 0.6A maximum.
No reduction of heater voltage is required.

Note 2: Measured at peak anode current 4.6A

OUTLINE DRAWING

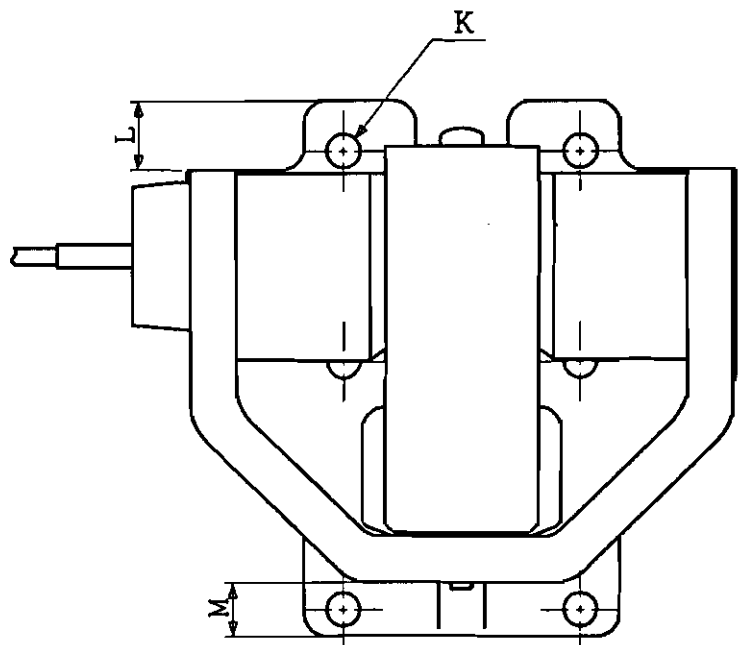


DEMONSTRATIONS Unit:mm

A	60±0.2	J	4-φ4.32 ±0.08
B	3.75	K	2-φ4.4 ±0.1
C	32.5 ±0.1	L	9
D	31±0.1	M	7
E	41.3	N	33MAX
F	72	P	43
G	70	R	17
H	20	S	3

Lead Connections

Colour	Element
Green	Heater
Yellow	Heater. Cathode



Top view