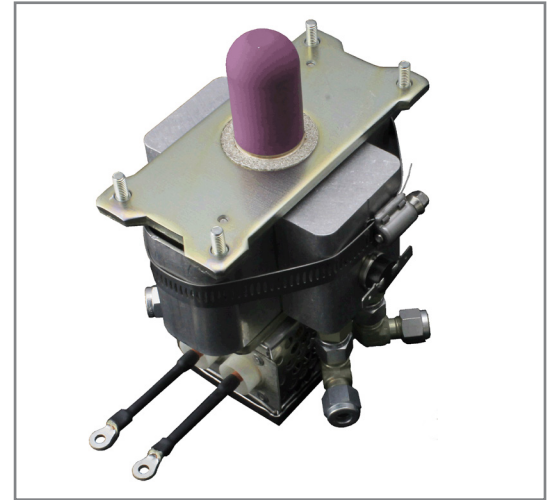


Description:

The NL10251-3LOW and NL10251-3HIGH are (CW) magnetron tubes that deliver 1.5 kW continuous output power.

- 1.5 kW CW power output per magnetron
- Water-cooled anode
- Probe Output
- Drop in replacements magnetrons that are used in Fusion (Axcelis) Photostabalizer products M150PC & M200PC used in wafer fab tools.
- Axcelis 080924 = NL10251-3LOW
- Axcelis 080921 = NL10251-3HIGH
- Operating frequency differs slightly (“low” or “high”) from 2450 MHz



Characteristic Parameters:

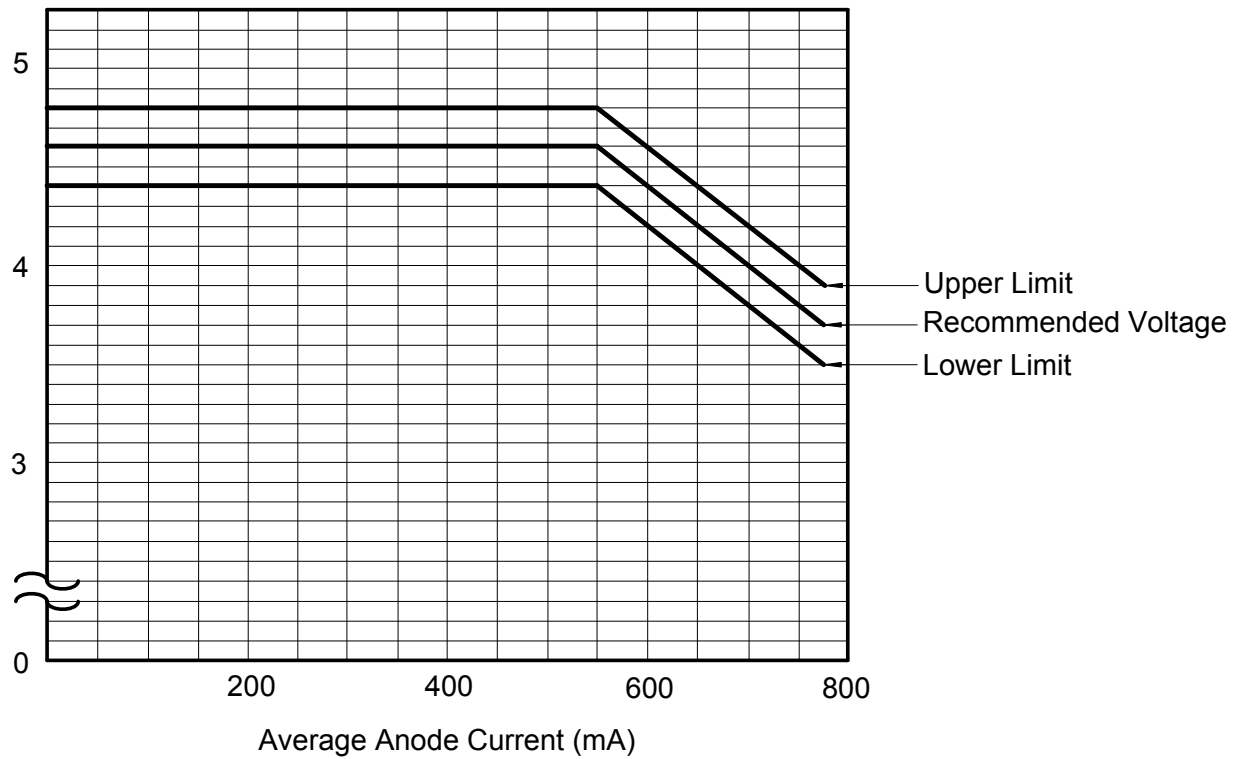
ELECTRICAL

Operating frequency:	LOW/HIGH
Power output:	1.5 kW (into a matched load)
Anode voltage:	3.6kV
Average Anode current:	725 mA
Filament voltage (standby):	4.6 Vac
Filament voltage (operation):	See filament voltage reduction schedule Figure 1
Load VSWR	≤ 1.1

MECHANICAL

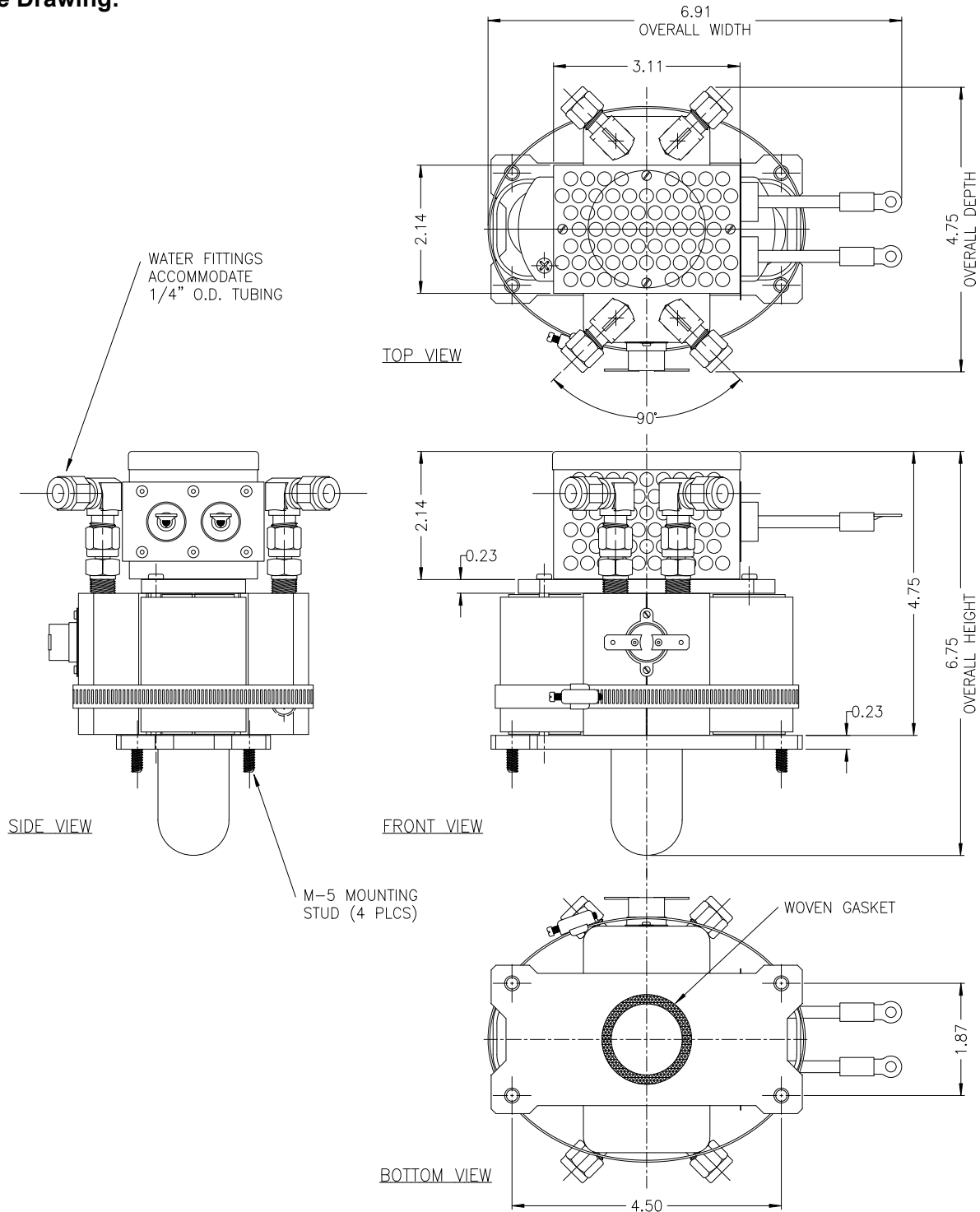
RF launch type:	Into Rectangular waveguide or into oven cavity
Net Weight:	6.3 lbs. (2.8 Kg)/Magnetron

Fig. 1 Reduction Chart of Filament Voltage



Note: Specifications subject to change without notice.

Outline Drawing:



Note: Unless otherwise noted, dimensions are nominal values in inches. Specifications subject to change without notice.