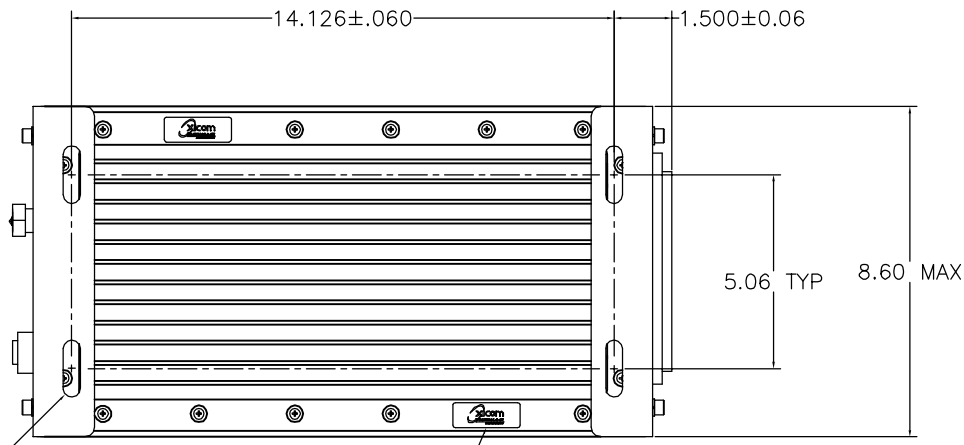


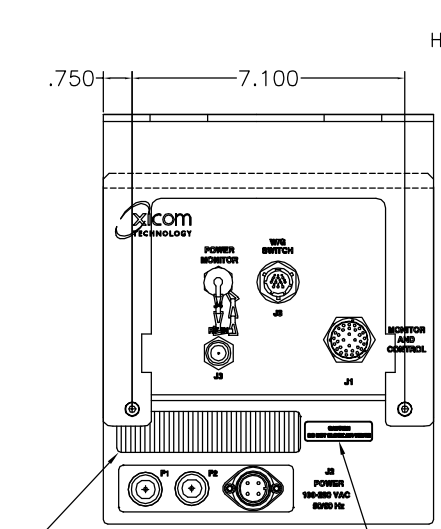
THE DATA CONTAINED HEREIN CONSTITUTES PROPRIETARY INFORMATION OF XICOM TECHNOLOGY AND SHALL NOT BE USED, DUPLICATED, OR DISCLOSED IN WHOLE OR IN PART, EXCEPT FOR RIGHTS EXPRESSLY GRANTED BY CONTRACT, WITHOUT THE PRIOR WRITTEN AUTHORIZATION OF XICOM TECHNOLOGY.

REVISIONS				
ECO	REV.	DESCRIPTION	DATE	APPROVED
4020	A1	SEE ECO	7/31/98	R.ORTIZ
9322	B	SEE ECO	11/15/01	GC/RO
9808	C	SEE ECO	5/8/02	WW/RB
12184	D	SEE ECO	7/22/04	DG/AA
13470	E	SEE ECO	11/16/05	DG/DH



4X SLOT 1.50LG X .040 WIDE
R FULL TYP

2X LABEL,
SECURITY



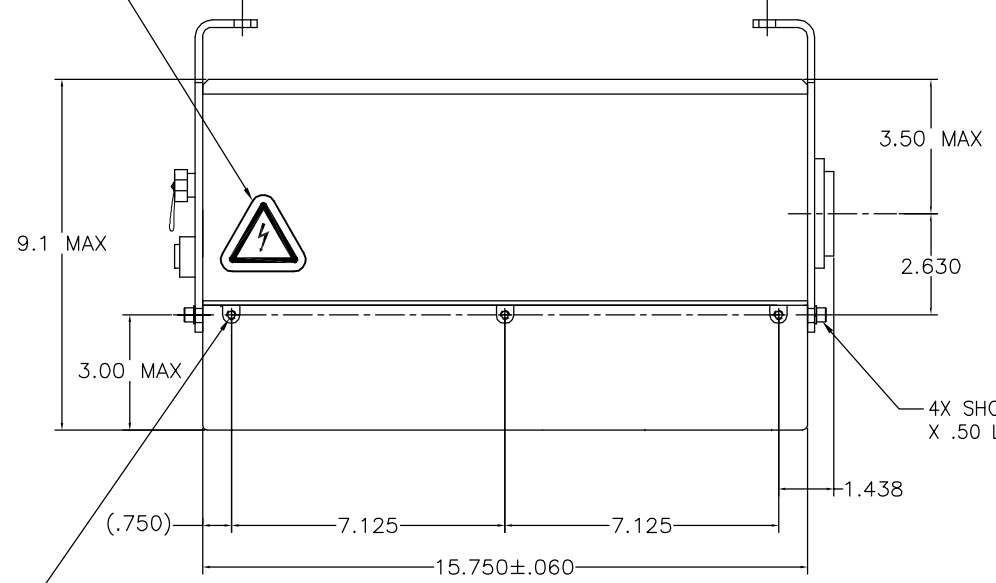
LABEL,
HIGH VOLTAGE

9.1 MAX

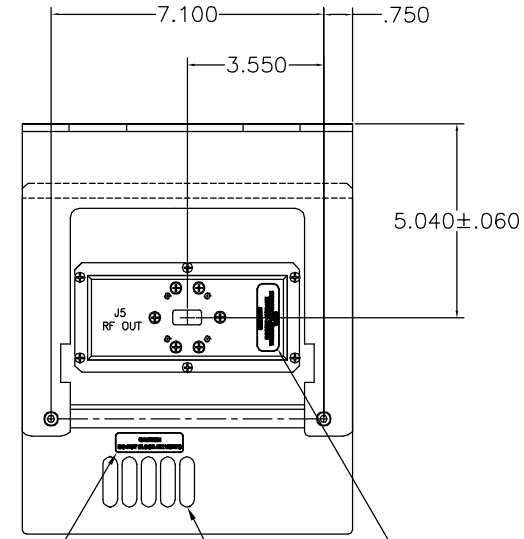
AIR INLET

LABEL,
AIR VENTS

10X 1/4-20 UNC-2B
.50 MAX DEPTH
1



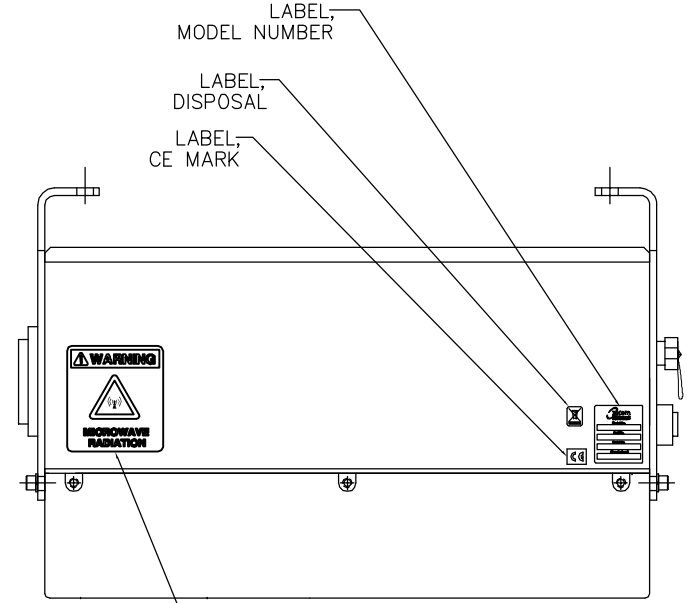
4X SHCS, 1/4-20
X .50 LG



LABEL,
AIR VENTS

AIR EXHAUST

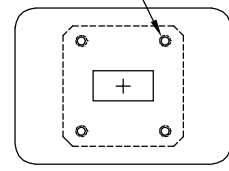
LABEL,
WAVEGUIDE



LABEL,
MICROWAVE RADIATION

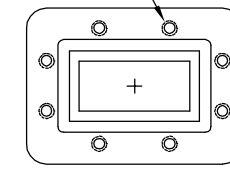
FLANGE CHART		
FREQUENCY	FLANGE	VIEW
KU-BAND	WR-75	A
C-BAND	CPR-137G	B
X-BAND		
DBS-BAND	WR-62	C

4X 6-32 UNC-2B
1 .25 MAX DEPTH



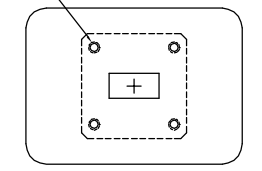
VIEW A
2/1 SCALE

8X 10-32 UNF-2B
1 .25 MAX DEPTH



VIEW B
2/1 SCALE

4X 6-32 UNC-2B
1 .25 MAX DEPTH



VIEW C
2/1 SCALE

NOTES: UNLESS OTHERWISE SPECIFIED
1 MAX DEPTH REFERS TO HARDWARE DEPTH. ANY COMBINATION OF HARDWARE THAT EXCEEDS THIS DEPTH WILL RESULT IN DAMAGE TO COMPONENTS.
2. WT. 34lbs. TYP.

MATERIAL N/A	UNLESS OTHERWISE SPECIFIED DIMENSIONS ARE IN INCHES TOLERANCES PER ANSI Y14.5M FRAC DECIMALS ANGLES SURF. ± .xx ±.05 ±1° .xxx ±.010	CONTRACT NO.		XICOM TECHNOLOGY
		APPROVALS	DATE	
FINISH N/A	DO NOT SCALE DRAWING	DRAWN L. BUGAJ	8/9/96	OUTLINE DRAWING, XT-80/100, REVERSE AIR FLOW, DIG ODU
		CHECKED		
		ENGRG		SIZE D
		MANFG		CAGE CODE
		QA		DWG. NO. 304-0055-001
				REV. E
				CAD SCALE NTS
				SHEET 1 OF 1